

# Aluminum Mechanical Lugs Anti-Turn Connector Dual Rated - One Conductor

## TYPE ATTA

### Features

- Manufactured from high strength aluminum alloy
- Electro-tin plated
- Chamfered wire entry
- Anti-rotation bar
- Suitable for use in circuits rated 35KV or less; proper high voltage spacing and insulation techniques must be used
- AL9CU, rated to 90° C

### Benefits

- Suitable for use with copper or aluminum conductors
- Provides low contact resistance
- For easy conductor insertion
- Reduces risk of movement at installation
- Application versatility

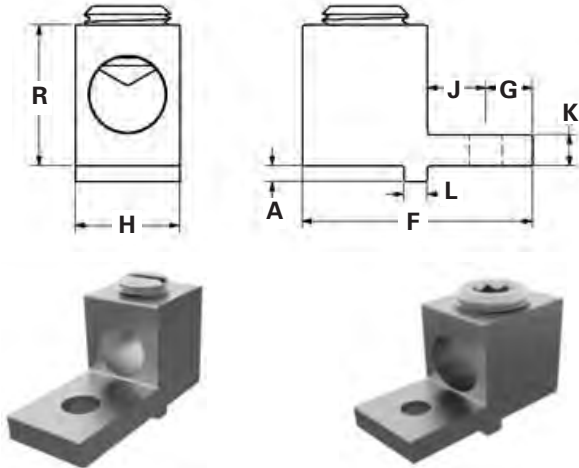


Fig. 1

Fig. 3

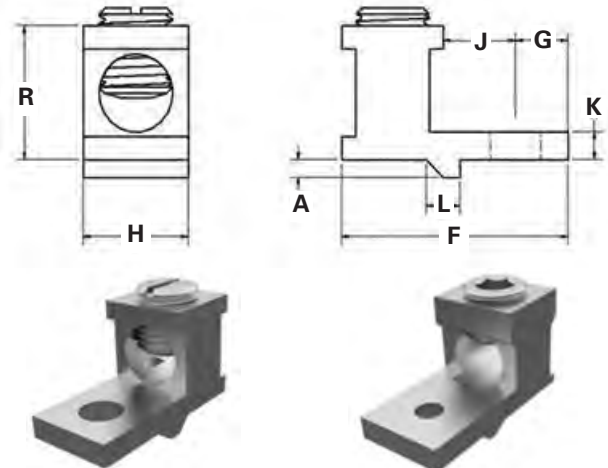


Fig. 2

Fig. 4

Catalog Number	Figure Number	Wire Range	Bolt Size	Dimensions - in. (mm)								Hex Size
				H	R	F	J	G	K	L	A	
ATTA-1/0-14	1	1/0-14	1/4	0.625 (15.9)	0.787 (20.0)	1.468 (37.3)	0.468 (11.9)	0.375 (9.5)	0.187 (4.7)	0.125 (3.2)	0.062 (1.6)	SLOT
ATTA-2/0-14	2	2/0-6	1/4	0.625 (15.9)	0.747 (19.0)	1.340 (34.0)	0.330 (8.4)	0.310 (7.9)	0.156 (4.0)	0.200 (5.1)	0.100 (2.5)	SLOT
ATTA-250-14	3	250kcmil-6	1/4	0.836 (21.2)	1.125 (28.6)	1.843 (46.8)	0.468 (11.9)	0.375 (9.5)	0.250 (6.4)	0.188 (4.8)	0.125 (3.2)	5/16
ATTA-300-14	4	300kcmil-6	1/4	1.000 (25.4)	1.125 (28.6)	2.080 (52.8)	0.330 (8.4)	0.470 (11.9)	0.250 (6.4)	0.273 (6.9)	0.100 (2.5)	3/8
ATTA-350-38	3	350kcmil-6	3/8	1.000 (25.4)	1.125 (28.6)	1.906 (48.4)	0.500 (12.7)	0.406 (10.3)	0.250 (6.4)	0.187 (4.7)	0.125 (3.2)	3/8
ATTA-350-14	4	350kcmil-6	1/4	1.000 (25.4)	1.125 (28.6)	1.760 (44.7)	0.390 (9.9)	0.330 (8.4)	0.200 (5.1)	0.273 (6.9)	0.100 (2.5)	3/8

All wire sizes, unless noted otherwise, are American Wire Gauge (AWG)

DE-OX® oxide inhibitor recommended for all aluminum terminations

Tested to UL486A/B, UL File E6207